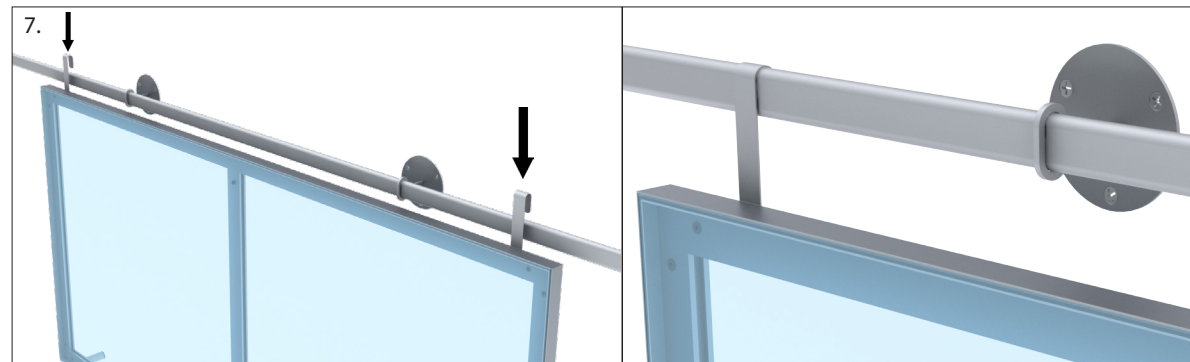
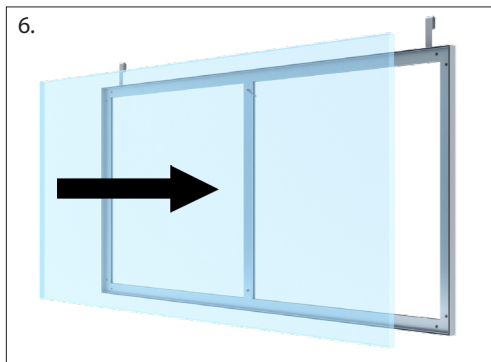
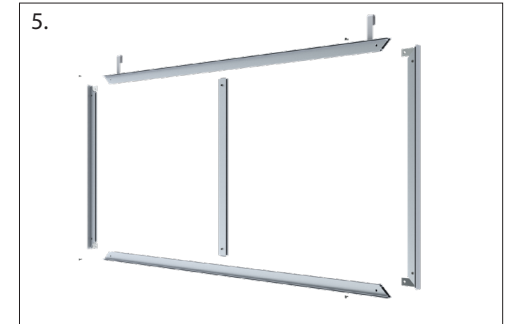
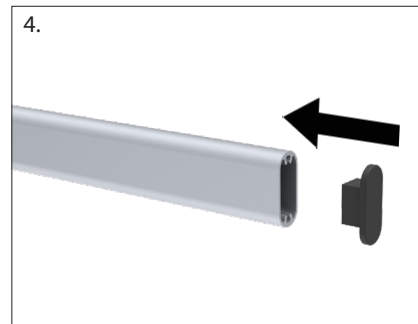
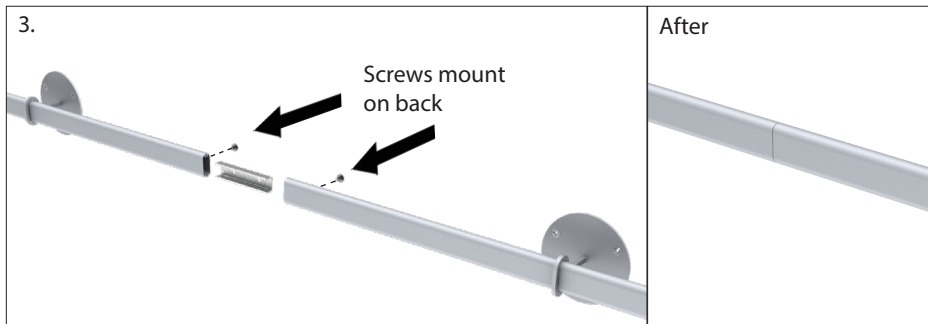
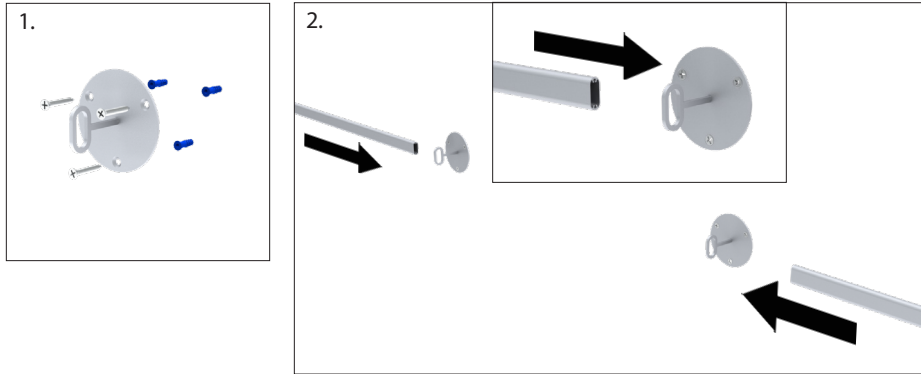
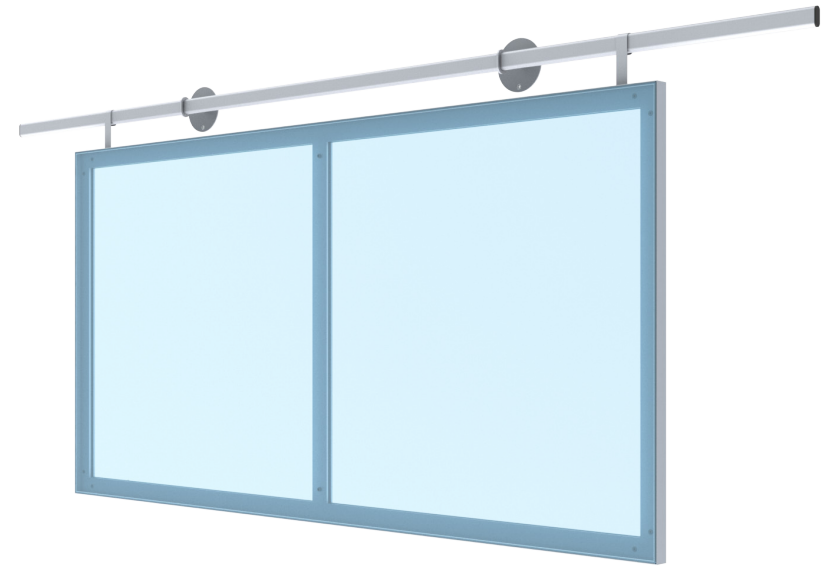


# Hang-On Perimeter Rail System with Charisma Frame - XSMA™

1. Mount the wall plates using the screws and anchors appropriate for your surface.
2. Slide the rail sections through the wall mounts.
3. Connect the rail sections using the joiners and screws provided.
4. Connect the caps to the ends of the joined rail.
5. Assemble the frame. *See next page for detailed instructions.*
6. Install the graphic. *See next page for detailed instructions.*
7. Hang the frame on the rail.



# Hang-On Perimeter Rail System with Charisma Frame - XSMA™

For proper assembly, it is important to notice that two frame-sides have brackets pre-mounted, and two sides do not.

1. Using the screws provided, attach the two frame-sides without bracket to the first frame side with brackets.
  2. Connect the second frame-side with brackets to the assembled portion of the frame.
  3. Insert center support bracket into bottom extrusion channel. Repeat for top frame extrusion. Tighten the set screws to secure.
  4. Once the entire frame is assembled, go back and fully tighten all screws (not shown).
  5. To install the graphic, take the corner with the pull tag on it and press about 6"-10" of silicone into the frame channel corner A. Repeat for the opposite corner B. Repeat for the next corner C. Lastly, repeat for the final corner D.
  6. After all corners are pressed in, press the silicone into the frame channel at the mid-points on all four sides.
  7. Press silicone into frame evenly between the corners and midpoints.
- This prevents the graphic from bunching up or stretching too much and will ensure a smooth and tight fit.
8. To remove the graphic from the frame, simply pull up on the pull tag.

